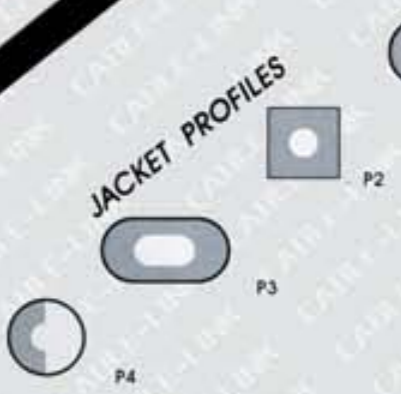




CLE 80696
BRADING SECTION



POWER CABLE



a) CONDUCTORS
ANY GAUGE EG. 1/0 AWG, 2AWG, 4AWG, 6AWG, 8AWG, 10AWG
ULTRA CLASSIC STRANDS
W/SUPER BRAIDING ADDITIONALLY
b) JACKET
ANY COLORS, EG. SILVER, RED, BLACK, BLUE
CLEAR & SOLID
PROFILES: P1, P2, P3

SPERKER WIRE

a) CONDUCTORS
ANY GAUGE EG. 2AWG, 4AWG, 6AWG, 8AWG, 10AWG, 12AWG, 14AWG, 16AWG, 18AWG, 20AWG, 22AWG, 24AWG
ULTRA CLASSIC STRANDS
W/SUPER BRAIDING ADDITIONALLY
b) JACKET
ANY COLORS, EG. SILVER, RED, BLACK, BLUE
CLEAR & SOLID
PROFILES: S1, S2, S3



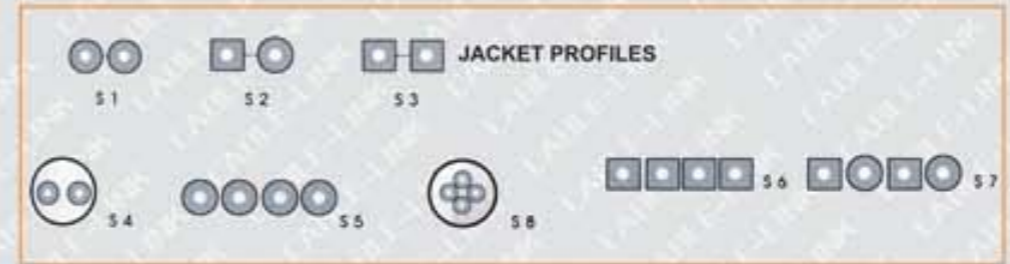
CLE 80698
4-CONDUCTOR SECTION



CLE 80697
TWISTED SECTION



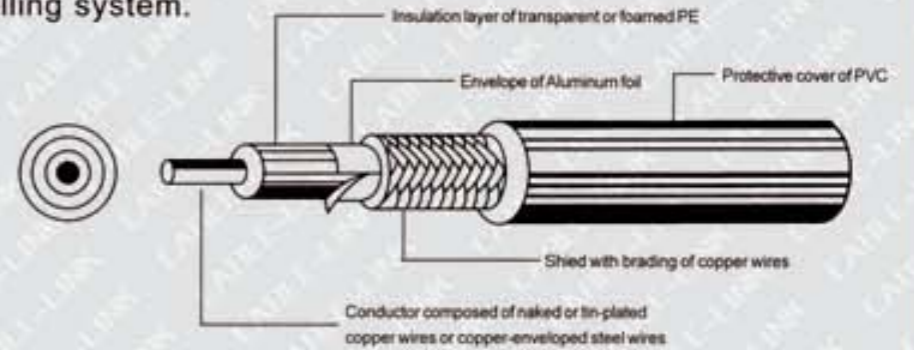
CLE 80699
GOLD & SILVER SECTION



CLE 80701
CLASSIC SECTION

CLE 80700
BRAIDING SECTION

Formation:The central conductor is composed of bare or tinned or multistranded copper wires or copper-clad steel wires .Outside which is the insulation layer of solid or foam PE and Aluminum foil and cotton yarns if required.The shield is provided by the braided bare or tinned copper wires ,The outermost side is the bouncy protective cover of PVC,This type of cable can be used for communication and signal controlling system.



CLE 80702

▶▶ **RG 59 HIGH QUALITY RG TYPE COAXIAL CABLE 75Ω**



CLE 80703

▶▶ **SATELLITE COAXIAL CABLE RG6/U 75Ω**



CLE 80704

▶▶ **RG-11 COAXIAL CABLE 75Ω**



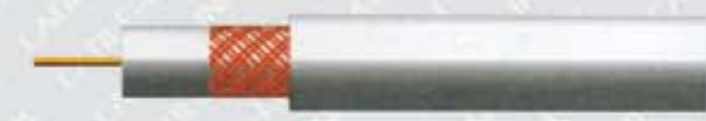
CLE 80705

▶▶ **3C-2V COAXIAL CABLE 75Ω**



CLE 80706

▶▶ **RG6U COAXIAL CABLE 75Ω**



CLE 80707

▶▶ **RG58U COAXIAL CABLE 75Ω**

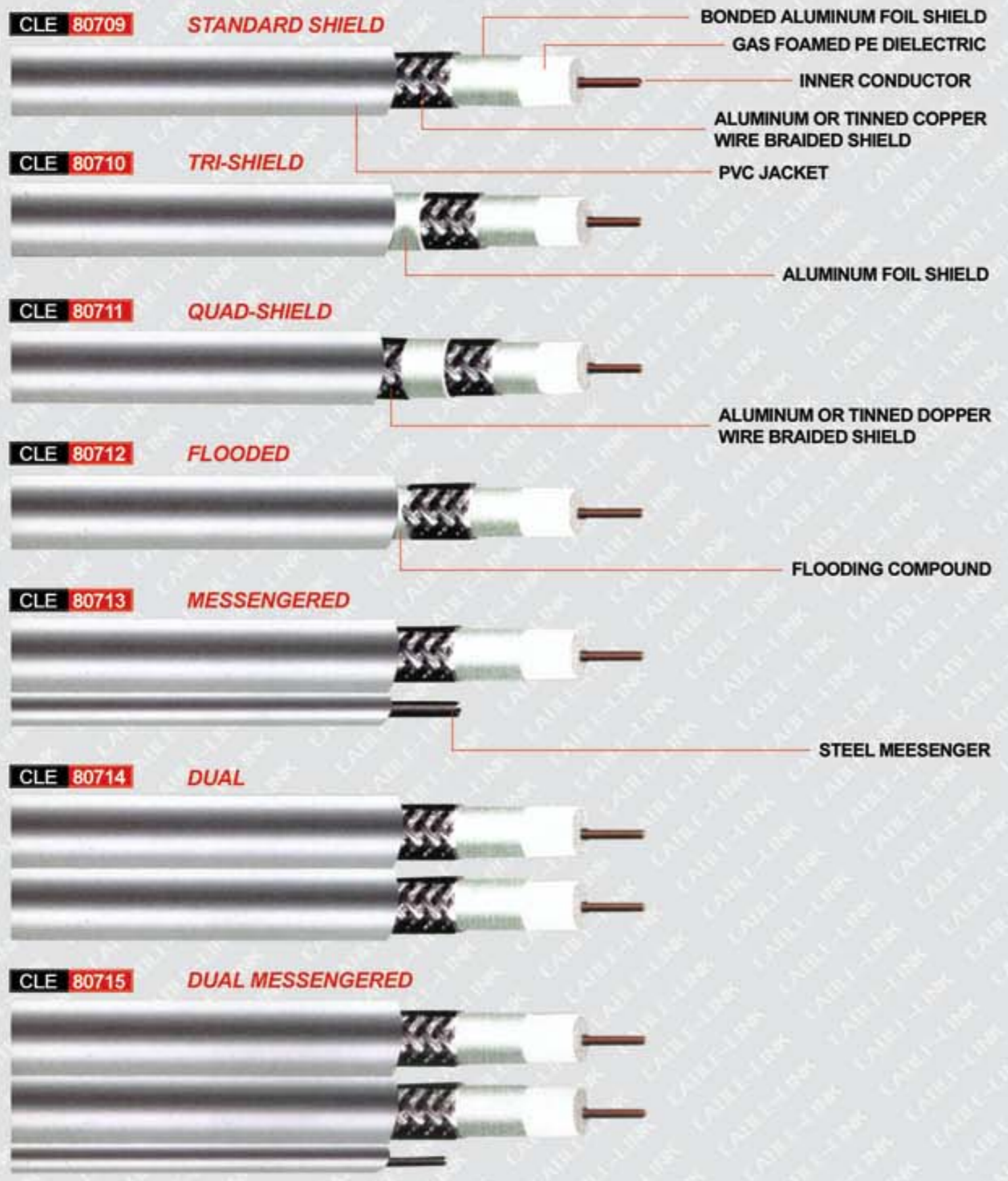


CLE 80708

▶▶ **RG-213 COAXIAL CABLE 75Ω**



CABLE-LINK



POWER CORD & STRIP AND POWER TRANSFORMER